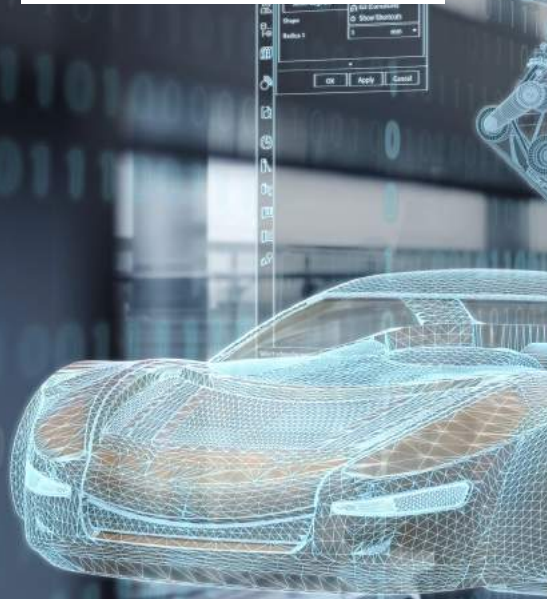


# SIEMENS

Ingenuity for life



## Simcenter FLOEFD for Siemens NX

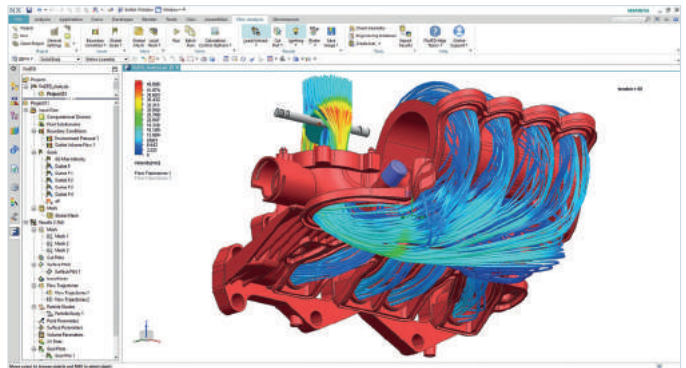
CAD-embedded frontloading computational fluid dynamics (CFD) software

[siemens.com/simcenter](https://www.siemens.com/simcenter)

Simcenter FLOEFD™ for Siemens NX™ is an easy-to-use, fast and accurate CFD analysis tool that is fully embedded in NX. It enables engineers to frontload simulation by moving CFD simulation early into the design process; thus, enabling design engineers to examine and evaluate design options earlier to obtain optimized product performance and reliability. Simcenter FLOEFD features intelligent automation at its core to make frontloading of CFD a reality:

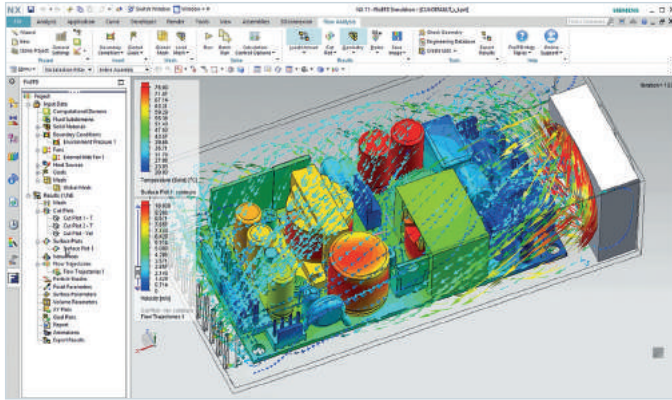
- An intuitive user experience – short learning curve
- Use of native NX CAD data – no translation or fluid body creation
- Automatic recognition of model change – geometry and simulation data are synchronized
- Fast automated mesher – fast and easy SmartCell™ meshing
- Unique solver – getting accurate results fast for highly complex geometry
- Powerful parametric study and design comparison functionality for easier what-if analysis

Simcenter FLOEFD can be easily inserted into your current NX design flow without any disruption to your existing process and reduce your overall simulation time by as much as 75 percent.

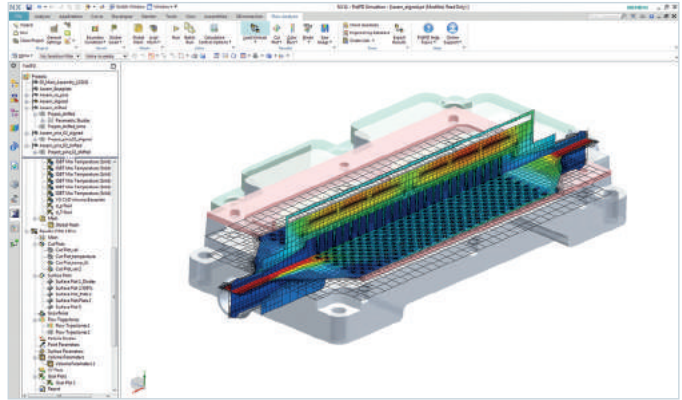


*“As a Simcenter product, FLOEFD is fully embedded in Siemens NX which is our design platform of choice; therefore, the entire development cycle can be done in Siemens NX CAD. In addition, FLOEFD has a wide range of technologies to help make CFD accessible. Its high degree of automation, modeling and meshing efficiency including a unique boundary layer model, helps us to obtain faster results without loss of accuracy. As a result, we can frontload CFD and move it early into the design process where obtaining useful and timely information for decision making purposes is crucial.”*

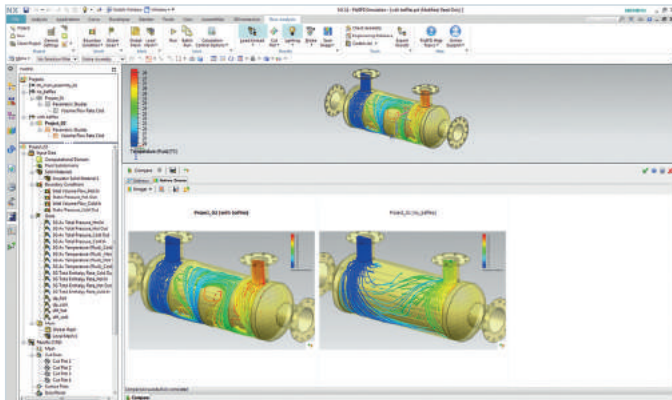
Ural Locomotives, LLC



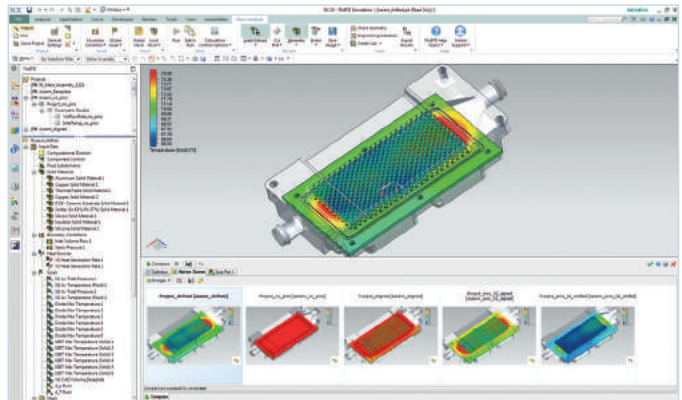
Tight CAD-integrated CFD simulation.



Fast and robust automated meshing technology.



Intuitive user experience.



Parametric studies and design comparison.

If you use Siemens NX take a closer look at Simcenter FLOEFD – the only fluid-flow and heat transfer simulation tool that fits into your design process without requiring you to change the way you design products.

Contact us to arrange for a free trial.

Siemens PLM Software  
[siemens.com/plm](http://siemens.com/plm)

Americas +1 314 264 8499  
 Europe +44 (0) 1276 413200  
 Asia-Pacific +852 2230 3333

©2019 Siemens Product Lifecycle Management Software Inc. Siemens and the Siemens logo are registered trademarks of Siemens AG. Femap, HEEDS, Simcenter, Simcenter 3D, Simcenter Amesim, Simcenter FLOEFD, Simcenter Flomaster, Simcenter Flotherm, Simcenter MAGNET, Simcenter Motorsolve, Simcenter Samcef, Simcenter SCADAS, Simcenter STAR-CCM+, Simcenter Soundbrush, Simcenter Sound Camera, Simcenter Testlab, Simcenter Testxpress and STAR-CD are trademarks or registered trademarks of Siemens Product Lifecycle Management Software Inc. or its subsidiaries in the United States and in other countries. All other trademarks, registered trademarks or service marks belong to their respective holders.  
 77561-A3 4/19 Y